

FEDERAL SUPPLY CLASS
5306

RATIONALE

FIGURE 1 REDRAWN, REVISE LEAD THREAD CHAMFER AND DRILLED HOLE POSITION REQUIREMENTS TO CONFORM TO AS1132, REVISE RANGE OF PART NUMBERS ALLOWING SUBSTITUTE DATUM IN NOTE 2, CORRECT ACROSS POINTS DIMENSION, ADD NEW NOTE FOR DISPOSITION OF EXISTING INVENTORY, UPDATE REFERENCE FOR FPI REQUIREMENTS, GENERAL EDITORIAL AND Y14.5M FORMAT CHANGES THROUGHOUT.

REV. B
AS3120™

SAE Technical Standards Board Rules provide that: "This report is published by SAE to advance the state of technical and engineering sciences. The use of this report is entirely voluntary, and its applicability and suitability for any particular use, including any patent infringement arising therefrom, is the sole responsibility of the user." SAE reviews each technical report at least every five years at which time it may be revised, reaffirmed, stabilized, or cancelled. SAE invites your written comments and suggestions.

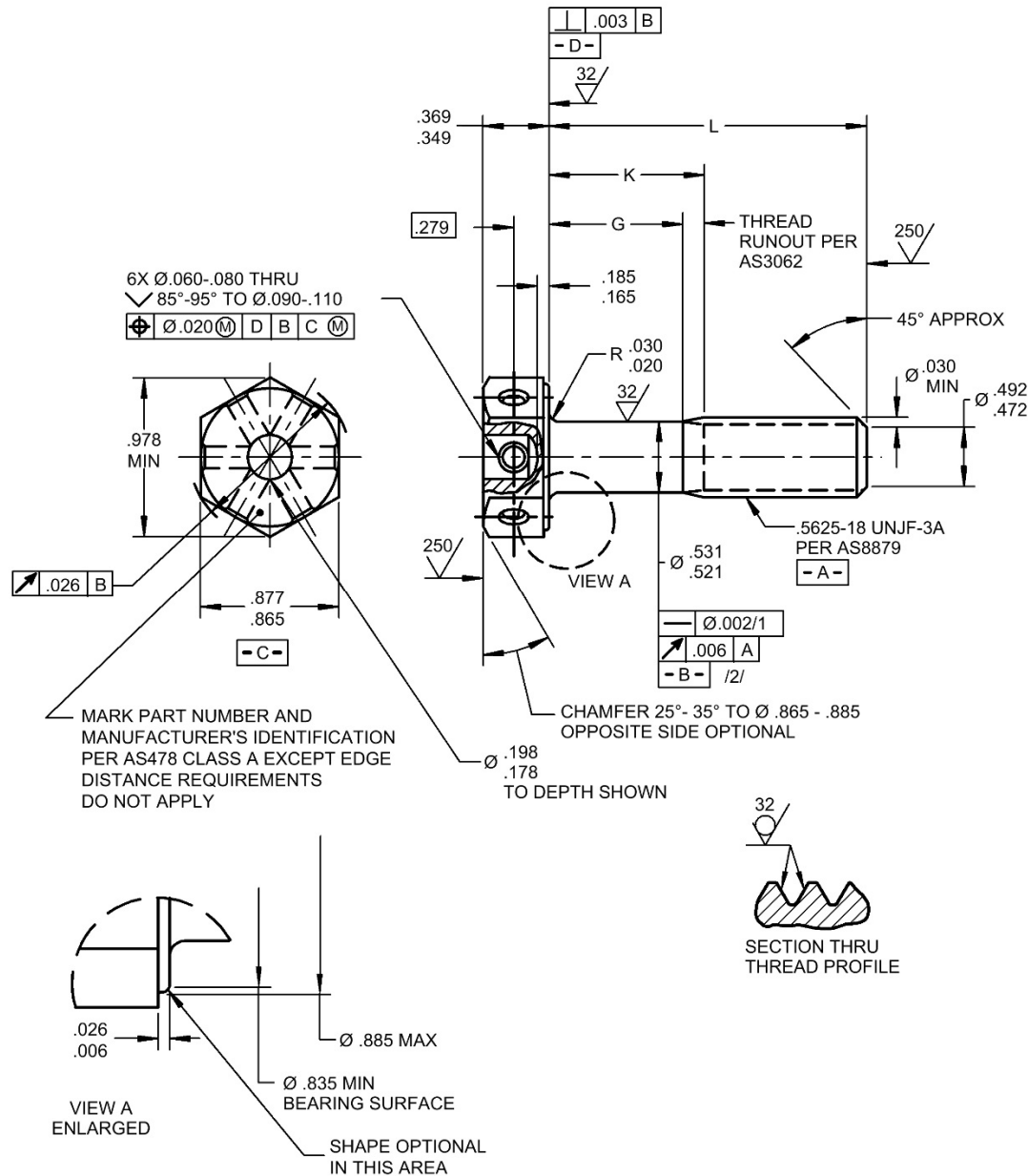
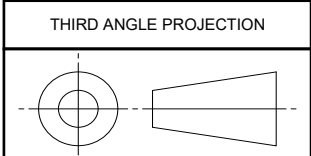


FIGURE 1 - BOLT

For more information on this standard, visit
<https://www.sae.org/standards/content/AS3120B/>



CUSTODIAN: E-25		PROCUREMENT SPECIFICATION: AS7477	
	AEROSPACE STANDARD		AS3120™ SHEET 1 OF 3
	BOLT, MACHINE - HEXAGON HEAD, DRILLED 6 HOLES, PD SHANK, UNS S66286, .5625-18 UNJF-3A		

ISSUED 1979-07 REAFFIRMED 2004-02 REVISED 2020-09